

Features

- Multiturn / Cermet / Industrial / Sealed
- Standoffs
- Patent #4427966 drive mechanism
- Listed on the QPL per MIL-PRF-22097 and High-Rel MIL-PRF-39035

RJ24/RJR24 - 3/8" Square Trimming Potentiometer

Electrical Characteristics

Standard Resistance Range
10 to 1 megohm
 (see standard resistance table)
 Resistance Tolerance±10 % std.
 Absolute Minimum Resistance
 RJ242 % or 20 ohms max.
 (whichever is greater)
 RJR242 % or 2 ohms max.
 (whichever is greater)
 Contact Resistance Variation
3.0 % or 3 ohms max.
 (whichever is greater)
 Adjustability
 Voltage±0.01 %
 Resistance±0.05 %
 ResolutionInfinite
 Insulation Resistance500 vdc.
 1,000 megohms min.
 Dielectric Strength
 Sea Level1,000 vac
 80,000 Feet400 vac
 Effective Travel25 turns nom.

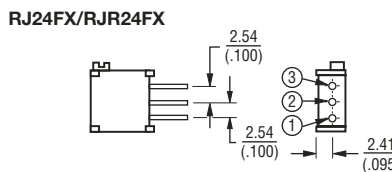
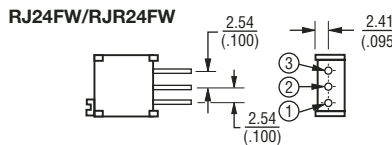
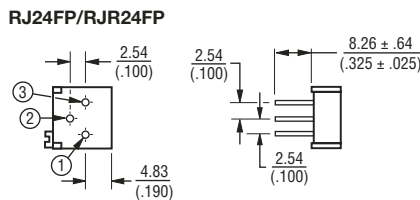
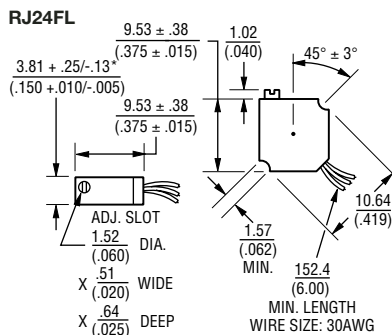
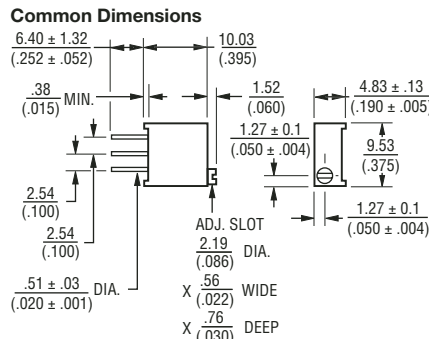
Environmental Characteristics

Power Rating (300 volts max.)
 85 °C0.5 watt
 150 °C0 watt
 Temperature Range
-55 °C to +150 °C
 Temperature Coefficient
±100 ppm/°C
 Seal Test85 °C Fluorinert*
 HumidityMIL-STD-202 Method 106
 RJ2496 hours
 (1 % ΔTR, 10 Megohms IR)
 RJR2496 hours
 (1 % ΔTR, 100 Megohms IR)
 Vibration20 G (1 % ΔTR; 1 % ΔVR)
 Shock100 G (1 % ΔTR; 1 % ΔVR)
 Load Life
 RJ241,000 hours 0.5 watt @ 85 °C
 (2 % ΔTR; 10 % ΔVR)
 RJR24 ..10,000 hours 0.5 watt @ 85 °C
 (3 % ΔTR)
 Rotational Life200 cycles (2 % ΔTR)

Physical Characteristics

Torque5.0 oz-in. max.
 Mechanical StopsWiper idles
 TerminalsMIL-STD 202, Method 208
 Weight0.025 oz.
 MarkingMil-spec part number,
 date code
 Wiper50 % (Actual TR) ±10 %
 FlammabilityU.L. 94V-0
 Standard Packaging50 pcs. per tube
 Adjustment ToolH-90

Product Dimensions



TOLERANCES: ± 0.25 (.010) EXCEPT WHERE NOTED

DIMENSIONS ARE: $\frac{\text{MM}}{\text{(INCHES)}}$

How To Order

MIL-PRF-22097 RJ24 F L 202
 Model _____
 Characteristic _____
 F = ±100 ppm/°C Temp. Coeff. Max.
 Terminal Style _____
 Resistance Code _____

How To Order

MIL-PRF-39035 RJR24 F W 502 R
 Model _____
 Characteristic _____
 F = ±100 ppm/°C Temp. Coeff. Max.
 Terminal Style _____
 Resistance Code _____
 Failure Rate
 M = 1.0 %
 P = 0.1 %
 R = 0.01 %

Standard Resistance Table

Resistance (Ohms)	Resistance Code
10	100
20	200
50	500
100	101
200	201
500	501
1,000	102
2,000	202
5,000	502
10,000	103
20,000	203
25,000	253
50,000	503
100,000	104
200,000	204
250,000	254
500,000	504
1,000,000	105

